

K-FUTURE HANDGUARD PARAMANO K-FUTURE

COD. 500007882 REV.2

ACERBIS PARTS



A - (2 pcs.)



LH - (1 pcs)



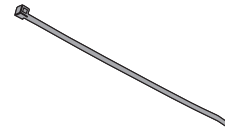
RH - (1 pcs)



B - (2 pcs)



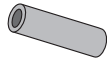
C - (4 pcs)



H - (2 pcs)

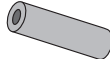


I - (2 pcs)



D - (2 pcs)

*
Clutch + brake
28 x 7 Magura
Frizione + freno
28 x 7 Magura



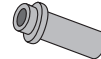
E - (1 pcs)

Brake
28 x 7,9 Brembo
Freno
28 x 7,9 Brembo



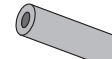
F - (1 pcs)

Clutch
5,7 x 4,7 Brembo
Frizione
5,7 x 4,7 Brembo



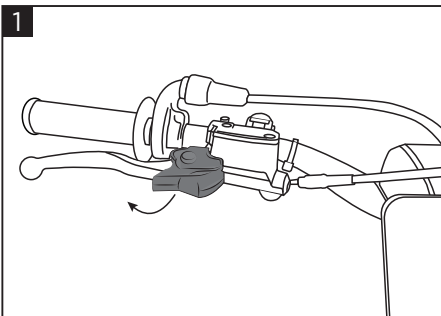
G - (2 pcs)

Brake
25,5 x 7,9 Nissin
Freno
25,5 x 7,9 Nissin

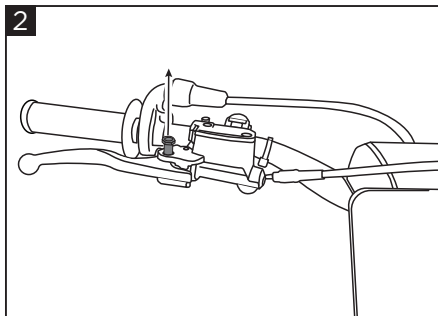


H - (2 pcs)

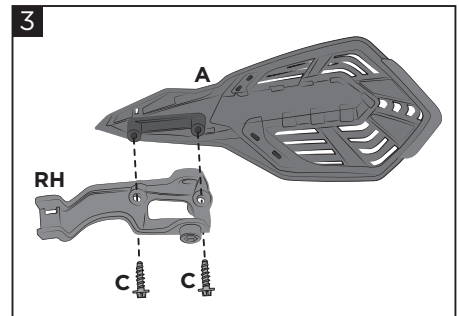
Clutch + brake
31 x 7,9 Braktec
Frizione + freno
31 x 7,9 Braktec



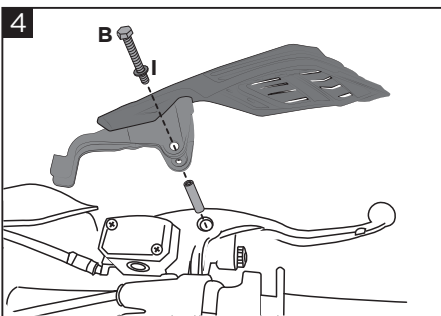
1
Remove the rubber protections.
Rimuovere le protezioni originali.



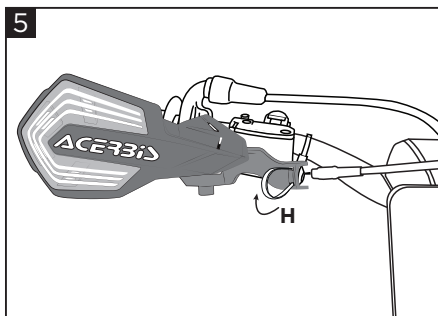
2
Remove the original screws.
Rimuovere le viti originali.



3
Fix the cover (A) to the right side mount (RH).
Fissare la cover (A) al bracciale (RH) attraverso due viti (C).



4
Mount the bushing in the pump (choose the bushing according to the table*), then assemble the handguard to the handlebar through the screw (B) and the washer (I).
Montare la boccia nella pompa (scegliere la boccia in base alla tabella*), poi assemblare il paramano al manubrio attraverso la vite (B) e la rondella (I).



5
Fix with band (H). Repeat with the left handguard.
Fissare attraverso la fascetta (H). Ripetere con il paramano sinistro.

WARNING!

Follow mounting instruction exactly. Ensure that the mounting is secure before riding. These handguards will not prevent injury in the event of a crash. They are designed to protect the hands from cold weather. Be sure that you follow the instruction for installing the handguards. Do not ride with a brockentie wrap. Check to be sure the throttle and other controls are free every time you ride. Failure to heed instructions and this warning could lead to interference with the controls, loss of control of the motorcycle, and an accident.

EUROPE

ACERBIS ITALIA S.P.A.
VIA SERIO, 37
24021 ALBINO (BG)
ITALY

U.S.A.

ACERBIS U.S.A. INC.
MAIL P.O. BOX 2030
SUN VALLEY, ID 83353
SHIP 110 LINDAY CIRCLE
KETCHUM, ID 83340
U.S.A.

UNITED KINGDOM

ACERBIS U.K LTD
UNIT 2 LUTON ENTERPRISE PARK
SUNDON PARK ROAD
LUTON, BEDFORDSHIRE LU3 3GU
GREAT BRITAIN