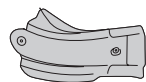


SKID PLATE YAMAHA YZF 250/450 2014  
SOTTOMOTORE YAMAHA YZF 250/450 2014

COD. 500002840 REV. 3

ACERBIS PARTS



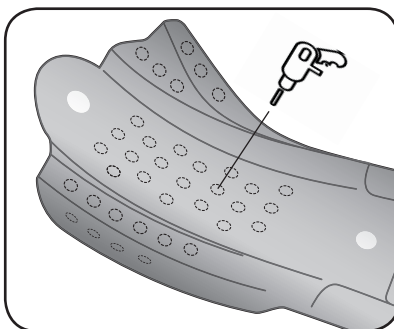
A - (1 pcs.)



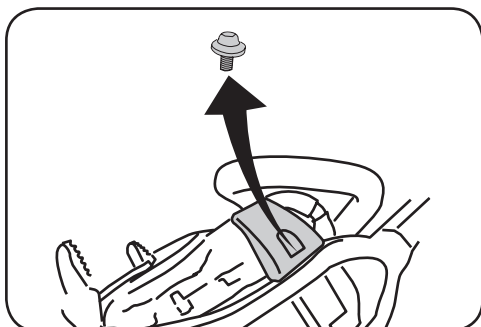
B - (1 pcs.)



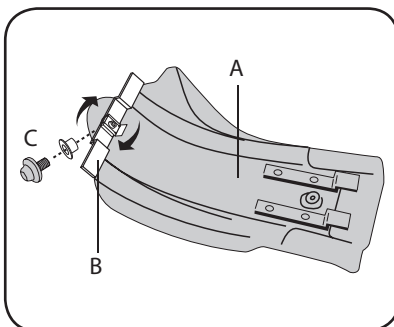
C - (1 pcs.)



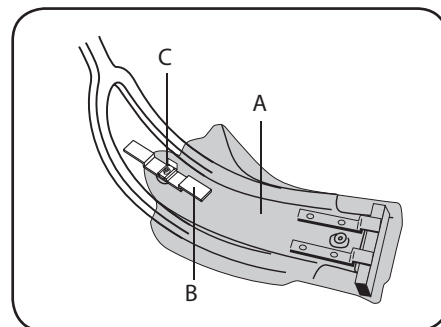
Centrini inclusi se si vuole forare per aumentare la ventilazione.  
Template included if you want to drill for own holes for venting



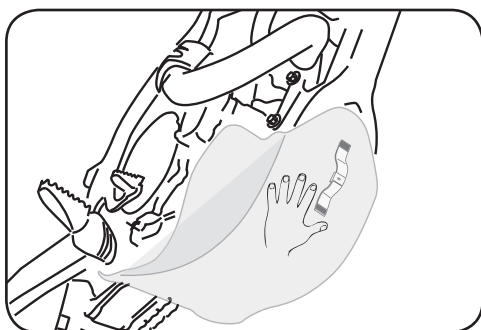
1. Smontare la protezione originale  
Remove original plastic protection



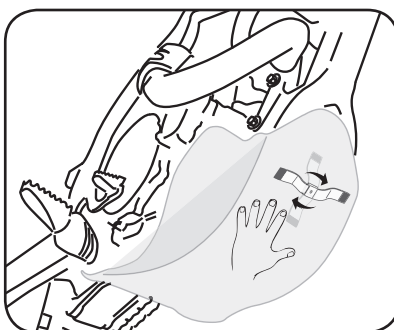
2. Avvitare per due giri la vite alla staffa  
Screw two turns the screw on the bracket



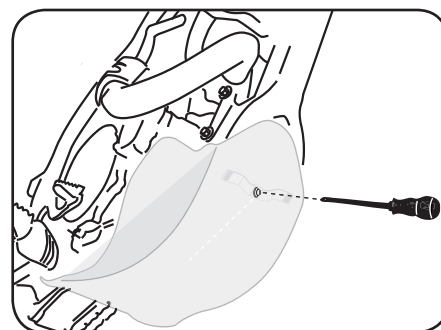
3. Inserire la slitta nel telaio  
Insert the slide in frame



4. Premere il sottomotore  
Push the skid plate



5. Premere il sottomotore e ruotare la staffa di 90°  
Push the skid plate and screw 90° the bracket



6. Avvitare la vite  
Tighten the screw

**WARNING!**

Use at your own risk. Check the security of your device before you ride. Be sure that you follow the instructions installing the Acerbis products. Do not ride if there is missing or damaged hardware. If this is the case, take the item immediately back to your dealer. Make sure the throttle and other controls are free every time you ride. Lack of attention to instruction and warning could lead to interference with the controls, loss of control, and an accidents. Acerbis recommends that installation must be done by a licensed mechanic and that only Acerbis original parts are used during fitting. Acerbis makes no guarantees or representations, express or implied, regarding the fitness of its products for any particular purpose. Acerbis makes no guarantees or representations, express or implied, regarding the extent to which its product protect individuals or property from injury or death or damage.